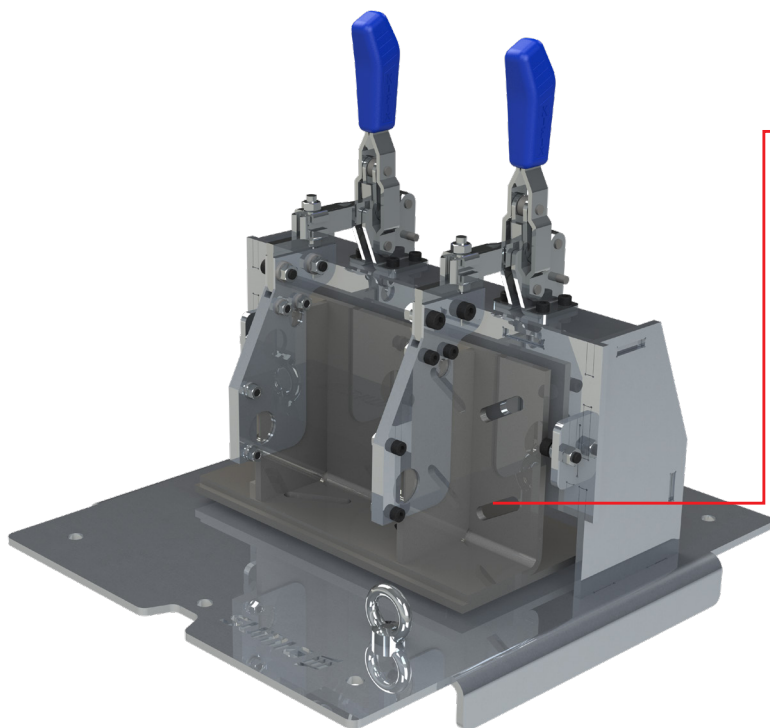




### Robotic Welding Toolings



**FAST** - Low acquisition cost;  
- Fast delivery time;

**GENERAL** - Designed for large volume of parts;  
- Toolings with manual and automatic clamps;

**INTELLITOOLING** - Designed for large volume of parts;  
- Devices with manual and automatic clamps;

Developed by Sumig, from design to manufacturing and toolings setup in cells



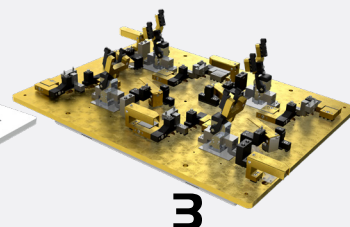
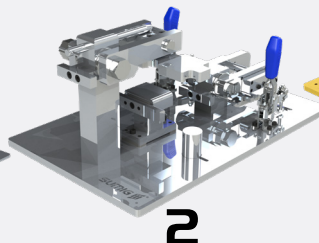
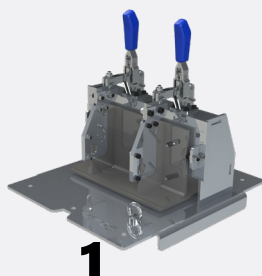
# LANÇAMENTO

#### Line of Toolings

**1. Fast** - simple and practical combining speed and low cost, allowing welding of small volume of parts;

**2. General** - more robust, with medium degree of complexity. Machined and thermally treated contact regions;

**3. Intellitooling** - presence sensing system and absence of pneumatic parts and clamps, ensures repeatability and fixing control.







Soluções para Solda e Corte

Matriz: Av. Ângelo Corsetti, 1281  
B. Pioneiro | 95042-000 | Caxias do Sul - RS  
Fone/Fax: (54) 3220 3900  
www.sumig.com | sumig@sumig.com

Filial SP: Alameda Vênus, 360  
B. American Park Empresarial NR  
CEP 13437-659 | Indaiatuba - SP  
Fone: (19) 4062 8900

Filial USA: 8600 Commodity Circle #159  
Orlando, FL 32819  
Phone/Fax: (407) 749 6688  
www.sumigusa.com | sumigusa@sumig.com

